

## CRL ESSENCE SERIES HEADERLESS SLIDING SHOWER DOOR SYSTEM CAT. NO.'s ESS1 AND ESS3

### INSTALLATION INSTRUCTIONS

#### STANDARD KIT INCLUDES:

- Two - Bottom Rollers (Rounded or Squared)
- \*One - Spanner Wrench for Roller Adjustment
- One - Top Door Guide
- One - 64" (1.63 m) Length Bottom Track
- One - 98" (2.49 m) Length U-Channel
- One - 98" (2.49 m) Length Plastic L-Seal
- One - SDCEC12 End Cap for Channel
- Two - Shower Door Bumpers
- \*One - 1/16" (1.6 mm) Neoprene Setting Block

Wall Mount and Glass-to-Glass Brackets,  
Handle or Knob, and Other Accessories Sold Separately

\* Not Shown



Rounded Style Rollers (2)  
Cat. No. BR4

OR



Squared Style Rollers (2)  
Cat. No. SR4



Top Guide (1)  
Cat. No. TG4



64" (1.63 m) Bottom Track (1)  
Cat. No. BT4



98" (2.49 m)  
U-Channel (1)  
Cat. No. SDCEC12



End Cap (1)  
Cat. No. SDCEC12



98" (2.49 m)  
Clear "L" Seal (1)  
Cat. No. DK98L



Rubber Bumpers (2)

- 1) Fixed panels with Essence Series Sliders are installed into the U-Channel. Determine the location of the fixed panel of glass with which the sliding door will interact. Cut the U-Channel to the correct length and mount it to the curb/tub. If the fixed panel with which the door will interact is fastened to a return panel, cut both U-Channels to size and mount them both. Do not set the panels into the U-Channel yet.
- 2) Prepare to install the fixed panel of glass that will mount to the wall by fastening the Wall Brackets to the panel. Once the Brackets are centered to the holes in the glass, the panel should be set into the U-Channel and positioned correctly. Do not silicone glass into U-Channel yet.
- 3) Mark the wall through the mounting plates of the Wall Brackets. Remove the panel and safely set it aside. Drill the wall, then mount the fixed panel permanently. **Note:** If you are installing a 180° sliding door/fixed panel configuration, please skip ahead to Step 5.
- 4) **(For 90° Installations Only)** Now that the fixed panel that mounts to the wall is in place, prepare to mount the fixed panel with which the sliding door will interact. Once the fixed panel is positioned correctly to the 90° return panel, clamp the two panels together by using Glass-to-Glass Brackets.

## CRL ESSENCE SERIES HEADERLESS SLIDING SHOWER DOOR SYSTEM CAT. NO.'s ESS1 AND ESS3

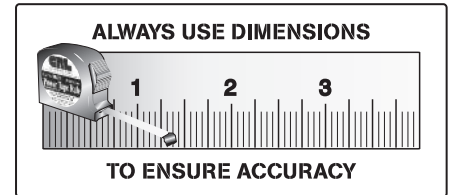
- 5) The Bottom Track must be cut to size and mounted. Measure the opening from wall-to-wall (for inline configuration), or wall to inside of return panel U-Channel (for 90° configuration). Deduct 1/16" (1.6 mm) from the tight dimension and cut the Bottom Track to size. The Bottom Track has a hole drilled at each end. The purpose of this hole is to allow water to drain back into the shower. Determine if the base to which the Bottom Track is to be adhered is out of level. If there is an out-of-level condition, cut the Bottom Track in a way that leaves the hole at the low end of the base for proper water drainage. The Bottom Track is to be placed right along side the U-Channel that holds the fixed glass with which the sliding door will interact. The Bottom Track should be touching the U-Channel all along the length of the channel. Place the Bottom Track in position to assure it's cut to the correct length. When you have confirmed the correct length for the Bottom Track, it's time to permanently mount it. The tape on the Bottom Track is 3/4" (19 mm) wide and centered on the extrusion. On the 3/16" (5 mm) wide flat portions without tape, a 1/8" (3 mm) diameter bead of silicone is to be applied in the center of the entire length of the Bottom Track. It's important the bead of silicone be continuous and uninterrupted the full length of the Bottom Track. This silicone bead acts as a water barrier to protect the tape from being saturated. Once the silicone has been applied, remove the release liner to the two-sided tape, align the Bottom Track to the U-Channel and permanently fasten the Bottom Track to the curb/tub. If any silicone oozes out from under the Bottom Track, tool it off. The Anti-Jump/Finger-Guard Plate must be allowed to travel freely below the lip of the Bottom Track.
- 6) Before setting the door, fasten the Bottom Rollers on to the bottom edge of the door glass using the two thin gaskets. Align the flat part on the bottom of the roller to the bottom edge of the door glass. Snug down the (3) screws that clamp the Roller to the glass. Tighten each of the (3) screws permanently. Set the adjustable portion of the wheel in the middle to have the two small holes on either side of the Allen head screw facing 9:00 and 3:00 o'clock.
- 7) Carefully lift the door into place on the Bottom Track. Before attempting to roll the door, install the Top Door Guide. Slip the portion of the Guide that has the plastic "U" shape over the fixed panel of glass with which the door interacts. Slide the Guide along the fixed panel until the posts on the Guide are aligned with the holes in the sliding door glass. Fasten the screws through the inside cover to the Guide using the screws provided. With the Top Door Guide safely installed, slide the door slowly to assure smooth rolling.
- 8) Roll the door to the wall where the door will close. Check the vertical reveal between the glass and the wall. If the door glass requires adjusting, use the adjustment screw in the middle of the Bottom Roller. You will note the center hub is out-of-round. This is designed to allow for adjustment up and down. To adjust, loosen the center Allen head screw one full turn. Using the provided Spanner Wrench, adjust the height of the door by turning the out-of-round hub to the desired location. The Allen screw in the middle must be re-tightened prior to rolling the door and testing for correct adjustment.
- 9) The Anti-Jump/Finger-Guard must be installed on the Bottom Rollers. Use the screws provided to put the plate on the Bottom Rollers, leaving the screws slightly loose for adjusting. Once a plate is on each Roller, slide the plate upward until the "L" shape is 1/16" (1.6 mm) from touching the Bottom Track. Use provided 1/16" (1.6 mm) Setting Block as gap guide.
- 10) With the door properly adjusted, it's time to position the Plastic "L" Seal. The Plastic "L" Seal must be used to cushion the door from closing against the vertical wall. If the plastic Seal isn't used, some sort of cushioning device must be employed to ensure the door doesn't contact the vertical wall. Take the "L" Seal that has the tape applied to it and cut it to fit. Measure from the top of the Bottom Track to the top of the sliding door glass and use this dimension to cut the "L". Next, slide the door closed to within 3/8" (10 mm) of the wall. Wedge a shim between the glass and the Bottom Track to keep the door in position. Remove about 12" (304 mm) of the release liner from the top of the Seal. Place the long side of the "L" Seal (the smooth side) on the inside face of the glass, not allowing the tape to stick to the wall. Now, using the glass as a guide, push the "L" Seal from the glass to the wall, slowly peeling more release liner as you go, until you get to the bottom. This process allows you to use the door glass as a guide to ensure the "L" is following the glass along the vertical wall.
- 11) The provided Bumpers must be used to prevent the sliding door from running into the vertical wall/return glass at the fixed panel side. Fasten the bumpers supplied through the clamps that attach the fixed panel to the wall/return panel. If the sliding door is permitted to run into a wall without a bumper/cushion, the glass may shatter. Silicone the Bottom Track along the sill at the outside and to the U-Channel. Silicone the End Cap to the open end of the U-Channel.

## CRL ESSENCE SERIES HEADERLESS SLIDING SHOWER DOOR SYSTEM CAT. NO.'s ESS1 AND ESS3

### GLASS AND METAL CUTTING FORMULA (180° APPLICATION)

#### SPECIFICATIONS:

- Overall width = Wall to wall distance
- Overall height = Height from curb to top of glass
- Fixed glass height formula is based on using U-Channel. A 3/16" (5 mm) standard deduction is used at the bottom of the fixed panel.
- Fixed and sliding glass panels overlap 2-7/8" (73 mm)
- Standard gap between wall and sliding glass is 1/4" (6 mm)
- Standard gap between wall and fixed glass is 1/8" (3 mm)
- Gap between fixed and sliding glass panels is 3/4" (19 mm)



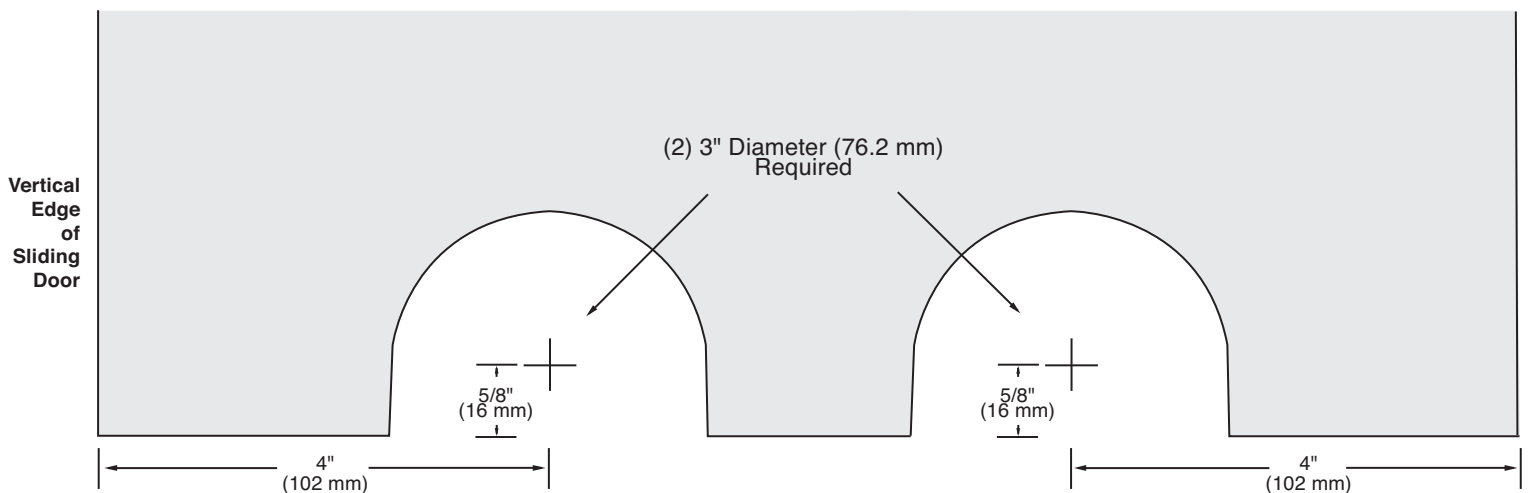
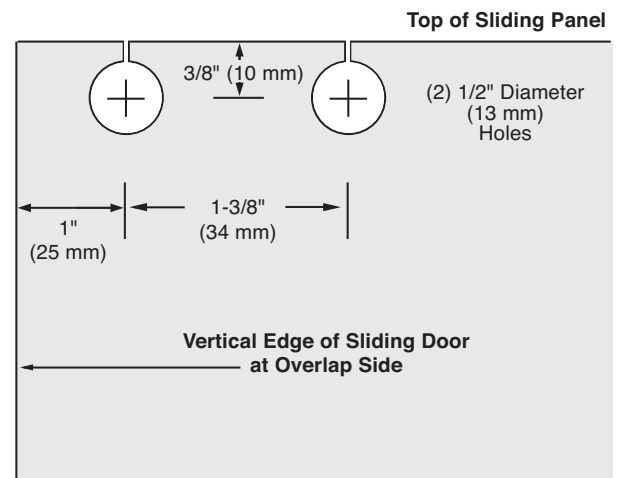
#### BOTTOM TRACK CUTTING FORMULA:

- Overall width measurement less 1/16" (1.6 mm)

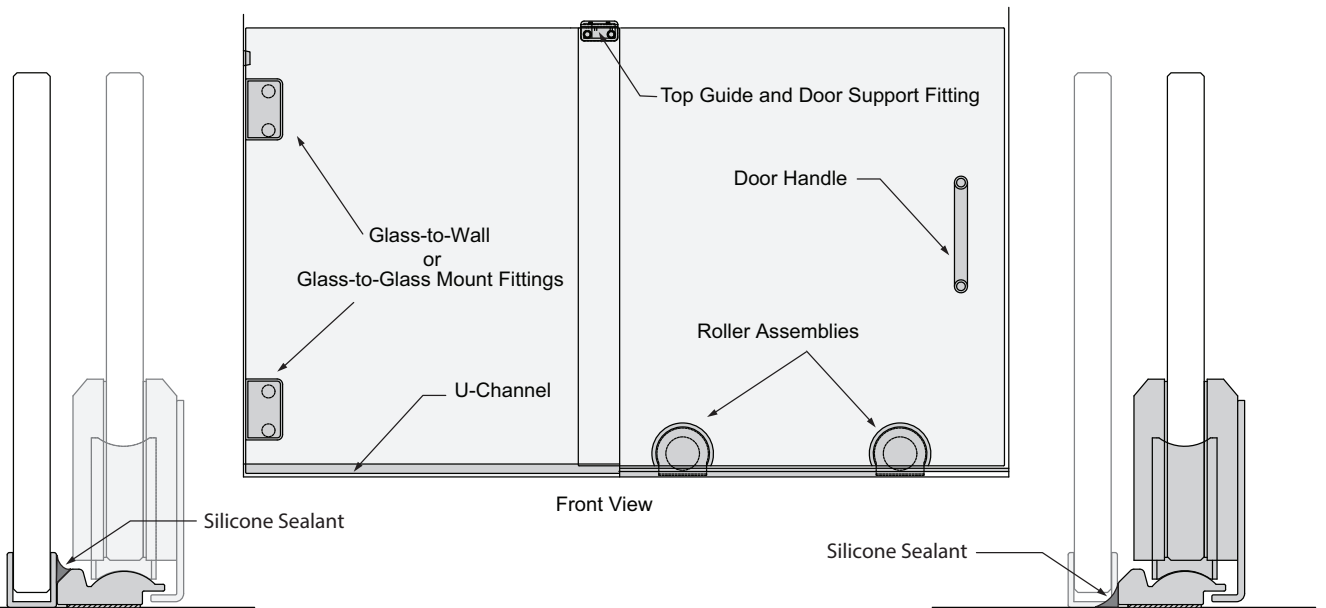
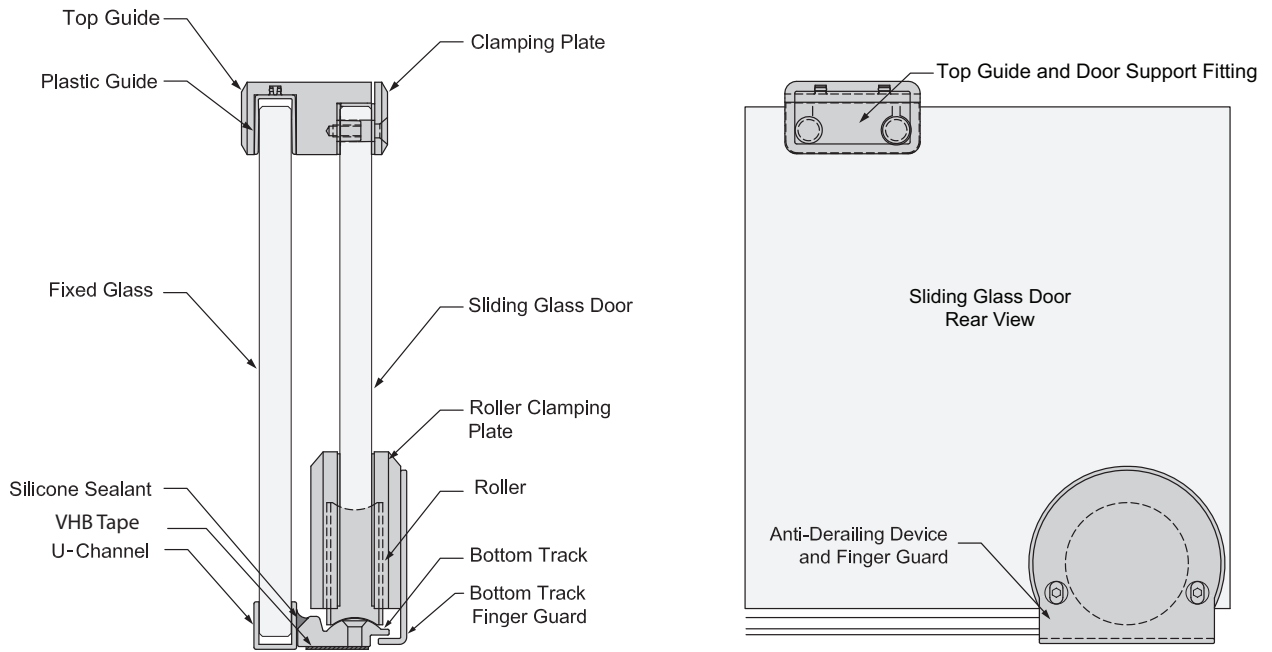
#### GLASS SIZE CUTTING FORMULA:

- Width of sliding glass = Overall width divided by 2, plus 3" (76 mm)
- Width of fixed glass = Overall width divided by 2, minus 1/2" (12 mm)
- Height of fixed glass = Overall height minus 3/16" (5 mm)\*
- Height of sliding glass = Overall height minus 5/8" (16 mm)\*
- Door Pull: If using a door pull with a projection greater than 1/2" (13 mm), it must be positioned 2" (51 mm) in from the vertical edge to the center of the hole(s)

\* Reminder - Overall height is determined from curb to top of glass



## CRL ESSENCE SERIES HEADERLESS SLIDING SHOWER DOOR SYSTEM CAT. NO.'s ESS1 AND ESS3



Silicone between U-Channel and Bottom Track  
Fixed Panel

Silicone along Outside Bottom Track  
Sliding Panel

